



EHX8E Explosionproof Housing



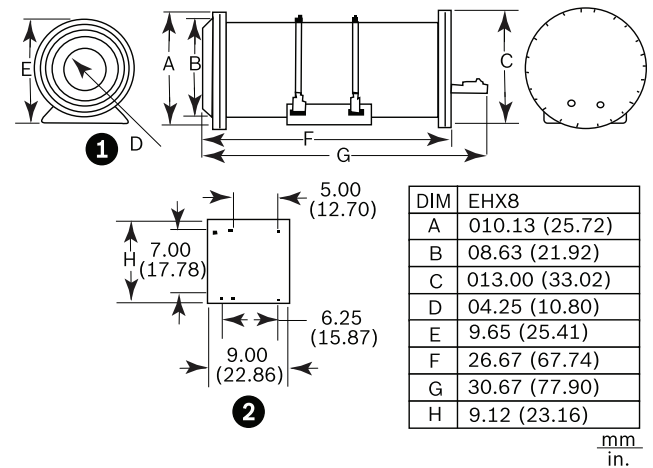
- ▶ For use in hazardous and outdoor marine environments.
- ▶ Meets IP66 and NEMA type 4X standards
- ▶ Adjustable mounting cradle
- ▶ Accessories available

The EHX8E Explosionproof Camera Housing has been designed to meet the rigorous requirements of explosionproof and dust-ignitionproof electrical equipment for installation and use in hazardous locations, in accordance with international standards. This housing protects against water and dust contamination in compliance with the IP66 and the NEMA 4X standards.

The EHX8E unit is constructed of aluminum and accommodates many camera/lens combinations. A unique camera mounting sled and track assembly allows fast, easy positioning of the camera assembly and can be securely locked in place.

Available accessories include heater and blower kits and a sun shroud.

Installation/Configuration Notes



Dimensional Outline

- 1 Glass Window
- 2 Mounting Cradle

Technical Specifications

Mechanical

Maximum Camera/Lens Size

Without Heater and Blower Kit (H x W x L) 146.0 x 130.2 x 609.6 mm (5.75 x 5.125 x 24 in.) or 609.6 x 185.4 mm, diameter (24 x 7.3 in.)

With Heater and Blower Kit or Blower Only (H x W x L) 146.0 x 130.2 x 565.2 mm (5.75 x 5.125 x 22.25 in.) or 565.2 x 185.4 mm, diameter (22.25 x 7.3 in.)

Cable Entry Two explosionproof sealable fittings; maximum cable diameter 12.7 mm (0.50 in.)

Window 146.1 mm (5.75 in.) diameter, 12.7 mm (0.50 in.) thick, ground and polished, fully tempered plate glass

Camera Mounting Adjustable sled (included)

Construction Aluminum (6061T6)

Finish Textured polyester, pantone 427C and 420C

Dimensions See dimensional outline

Weight (Approx.) 20.4 kg (45 lb)

Environmental

Operating Temperature -20°C to +73°C (-4°F to 163°F)

Enclosure Protection NEMA Type 4X IP 66
Class I, Groups C and D
Class II, Groups E, F and G
Class I, Zone 1, AEx d IIB, Ex d IIB
ATEX
03 ATEX 0318166U
0035 II 2 G Eex d IIB
II 2 D

Salt Atmosphere Suitable for outdoor marine (salt water) use for vessels over 65 ft in length

Product Regulatory Compliance

Product Safety Classified by Underwriters Laboratories, Inc., as to explosion and fire hazard only. Complies with UL standard UL 1203 and UL 2279; CSA standard C22.2 No. 30, and E79-0-95 and E79-1-95. Complies with CE regulations.

Accessories

SSEH8E	Sun shroud
HKX8/10-1	Thermostatically controlled heater kit; 120 VAC, 50/60 Hz, 107 W; activates ON at +4°C (+40°F) and OFF at +15°C (+60°F)
HKX8/10-2	Same as HKX8/10-1 except 24 VAC
HKX8/10-3	Same as HKX8/10-1 except 220 VAC
BKX6000	Continuous duty blower kit, 10 cfm, 120 VAC, 60 Hz, 3.8 W
BKX6024	Same as BKX6000, except 19.4 cfm, 24 VDC 50 Hz, (AC rectified) 1.9 W
BKX6000/220	Same as BKX6000, except 8 cfm, 220 VAC, 50 Hz, 9.6 W

Recommended Pan Tilt

PT1260EX Series Heavy duty, explosion proof pan tilt, maximum load 45.5 kg (10 lb)

Pelco and the Pelco® symbol are registered trademarks of Pelco.

Ordering Information

Explosionproof Housing

EHX8E

Americas:
Bosch Security Systems, Inc.
130 Perinton Parkway
Fairport, New York, 14450, USA
Phone: +1 800 289 0096
Fax: +1 585 223 9180
security.sales@us.bosch.com
www.boschsecurity.us

Europe, Middle East, Africa:
Bosch Security Systems B.V.
P.O. Box 80002
5600 JB Eindhoven, The Netherlands
Phone: +31 40 2577 284
Fax: +31 40 2577 330
emea.securitysystems@bosch.com
www.boschsecurity.com

Asia-Pacific:
Robert Bosch (SEA) Pte Ltd, Security Systems
11 Bishan Street 21
Singapore 573943
Phone: +65 6258 5511
Fax: +65 6571 2698
apr.securitysystems@bosch.com
www.boschsecurity.com